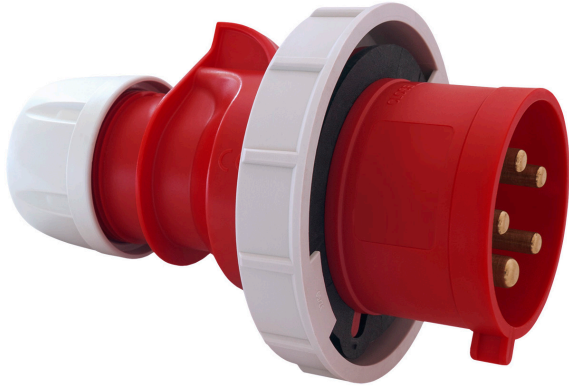
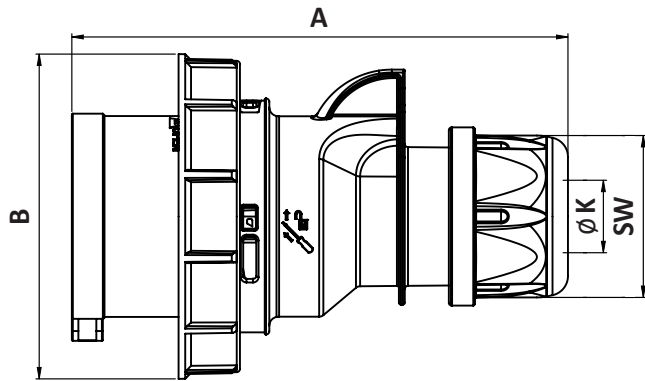


POWtec CEE Plugs IP67



- Waterproof, IP67
- Screw terminals
- Quick release locking system
- Nickel-plated contacts



Maximum Conductor Cross-section		
Current Rating	Flexible	Solid
16A	4mm ²	6mm ²
32A	6mm ²	10mm ²

Dimensions (mm)						
Poles	3	4	5	3	4	5
Current	16A			32A		
A	122	128	134	150	150	155
B	71	79	87	93	93	100
K	6-15	6-15	8-16	11.5-20	11.5-20	11.5-22
SW	42	42	42	50	50	50
Weight (g)	130	154	183	223	242	276

Voltage		110 V~	230 V~	400 V~
Frequency		50/60 Hz		
Designation		4h		
Current	Poles	Part No.	Part No.	Part No.
16A	3	POWtecP-316Y-T067	POWtecP-316B-T067	-
16A	4	POWtecP-416Y-T067	POWtecP-416B-T067	POWtecP-416R-T067
16A	5	-	POWtecP-516B-T067	POWtecP-516R-T067
32A	3	POWtecP-332Y-T067	POWtecP-332B-T067	-
32A	4	POWtecP-432Y-T067	POWtecP-432B-T067	POWtecP-432R-T067
32A	5	-	POWtecP-532B-T067	POWtecP-532R-T067